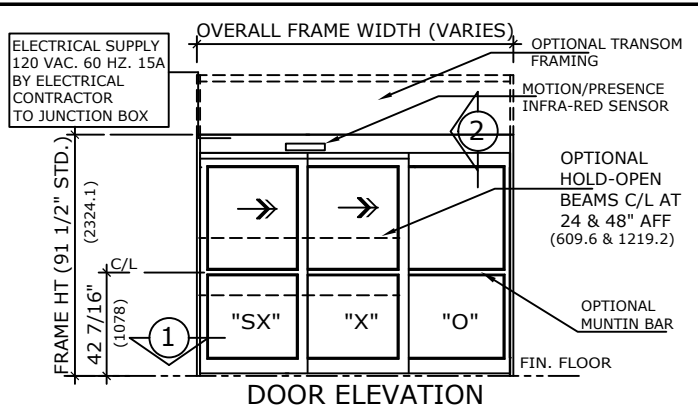


APPLICATION:
TELESCOPIC FIXED SIDELITE
RIGHT HAND, AUTOMATIC SLIDING DOOR SYSTEM.

NOTE: DRAWING IS DIMENSIONED IN BOTH INCHES & METRIC (mm)



AUTOMATIC SLIDING DOOR OPERATOR SHALL BE "DS18" CUL USA APPROVED, CONFORMING TO UL STD. 325 & ANSI-BHMA STD. A156.10 CERTIFIED TO CAN. CSA STD. C22.2#24-93 AS MANUFACTURED BY ENTREMATIC GROUP AB.

STANDARD FINISH: ANODIZED, CLEAR; DARK BRONZE; SPECIAL FINISHES ARE AVAILABLE

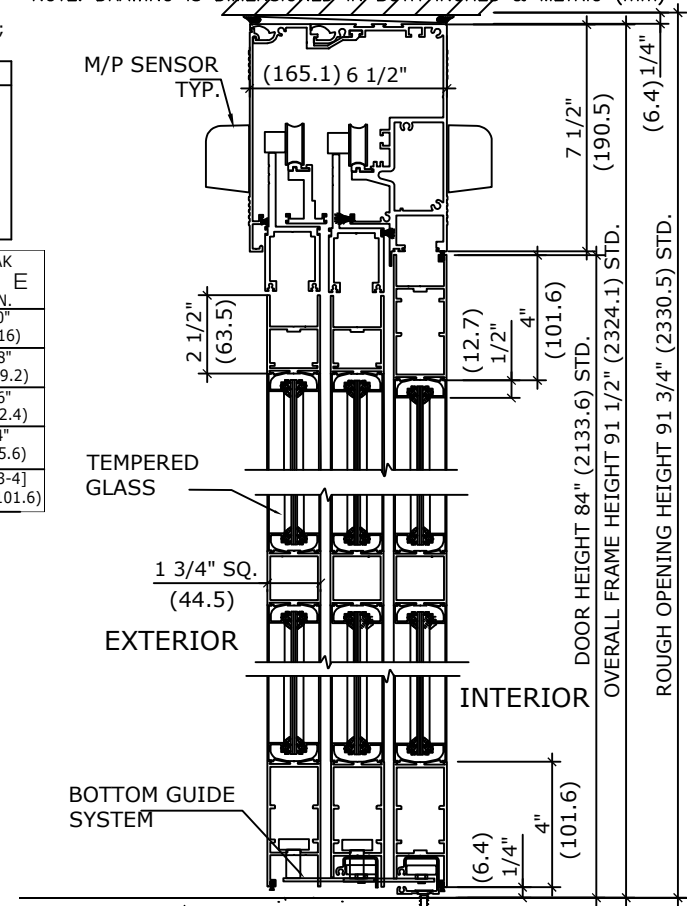
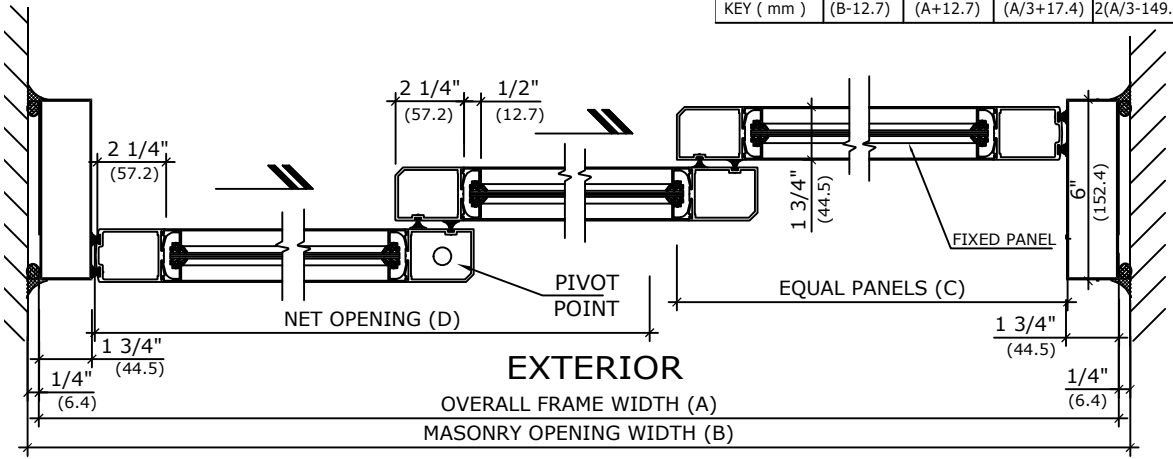
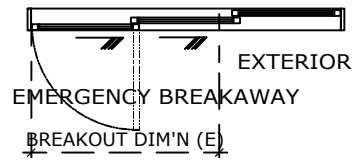
UNIT DESCRIPTION

DITEC

SX-X-O : OVERHEAD CONCEALED TELESCOPIC RIGHT HAND FIXED SIDELITE SLIDE DOOR SYSTEM, NARROW STILE DOORS.

PACKAGE SHALL INCLUDE AUTOMATIC OPERATOR, FRAME AND DOORS WITH MUNTINS, BOTTOM RAILS WITH CONCEALED SWEEP, BRUSH-PILE WEATHER STRIPPING, EMERGENCY BREAKAWAY, MS LOCK, GLAZING STOPS FOR TEMPERED GLASS, DOOR GUIDE SYSTEM SHALL BE CONCEALED IN BOTTOM HORIZONTAL RAILS, 3-WAY SWITCH & MOTION/PRESENCE SENSORS ON BOTH SIDES OF UNIT.

SIZE	OVERALL FRAME A WIDTH	ROUGH OPENING B WIDTH	EQUAL PANELS C WIDTH	NET DOOR D OPENING	BREAK OUT E DIM'N.
72"	72" (1828.8)	72 1/2" (1841.5)	24 11/16" (627)	36 1/4" (920.8)	40" (1016)
84"	84" (2133.6)	84 1/2" (2146.3)	28 11/16" (728.6)	44 1/4" (1124)	48" (1219.2)
96"	96" (2438.4)	96 1/2" (2451.1)	32 11/16" (830.2)	52 1/4" (1327.2)	56" (1422.4)
108"	108" (2743.2)	108 1/2" (2755.9)	36 11/16" (931.8)	60 1/4" (1530.4)	64" (1625.6)
KEY INCHES (mm)	[B-1/2] (B-12.7)	[A+1/2] (A+12.7)	[A/3+11/16] (A/3+17.4)	2[A/3-5 7/8] 2[A/3-149.2]	2[A/3-4] 2[A/3-101.6]



REFER TO RELEVANT (LOCAL, STATE, NATIONAL OR AHJ) BUILDING CODE FOR MIN DOOR HEIGHT & MIN/MAX WIDTH ALLOWABLE FOR EGRESS REQUIREMENT.

NOTE: ENTREMATIC GROUP AB, RESERVES THE RIGHT TO CHANGE & IMPROVE IT'S PRODUCTS & SPECIFICATIONS WITHOUT NOTICE.

ENTREMATIC

TEL. 877-348-6837 (CANADA)
 www.ditecentrematic.ca
 TEL. 866-901-4284 (USA)
 www.ditecentrematic.us

SHEET TITLE:			SHEET NO. 20
ARCHITECT:			
CONTRACTOR:			SECTION DS
SCALE:	DRAWN BY:	DATE:	