

ELECTRICAL SERVICE  
120 VAC. 60 HZ. 15A  
TO JUNCTION BOX  
BY ELECTRICAL  
CONTRACTOR.

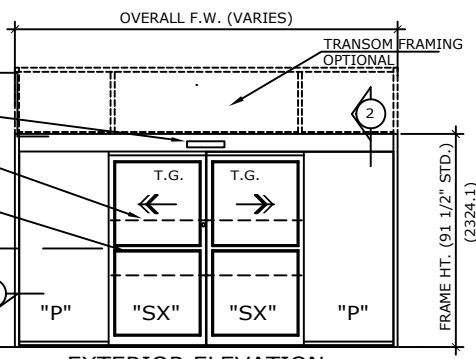
MOTION / PRESENCE  
INFRARED SENSOR

OPTIONAL HOLD-OPEN  
BEAMS C/L AT 24 & 48"  
(609.6 & 12.19.2) AFF

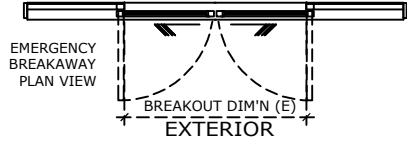
OPTIONAL  
MUNTIN BAR

42.7/16"  
(1078)

FIN. FLOOR



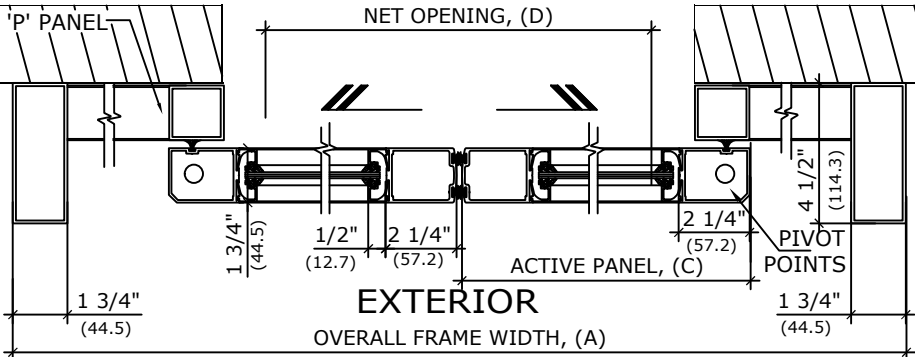
EXTERIOR ELEVATION



EMERGENCY  
BREAKAWAY  
PLAN VIEW

FINISHED OPENING, (B)

NET OPENING, (D)



EXTERIOR

OVERALL FRAME WIDTH, (A)

AUTOMATIC SLIDING DOOR OPERATOR SHALL BE "DS18"  
CUL USA APPROVED, CONFORMING TO UL STD. 325 &  
ANSI-BHMA STD. A156.10 CERTIFIED TO CAN. CSA STD.  
C22.2#24-93 AS MANUFACTURED BY ENTREMATIC GROUP  
AB.

STANDARD FINISH: ANODIZED, CLEAR; DARK BRONZE;  
SPECIAL FINISHES ARE AVAILABLE

UNIT DESCRIPTION

DITEC

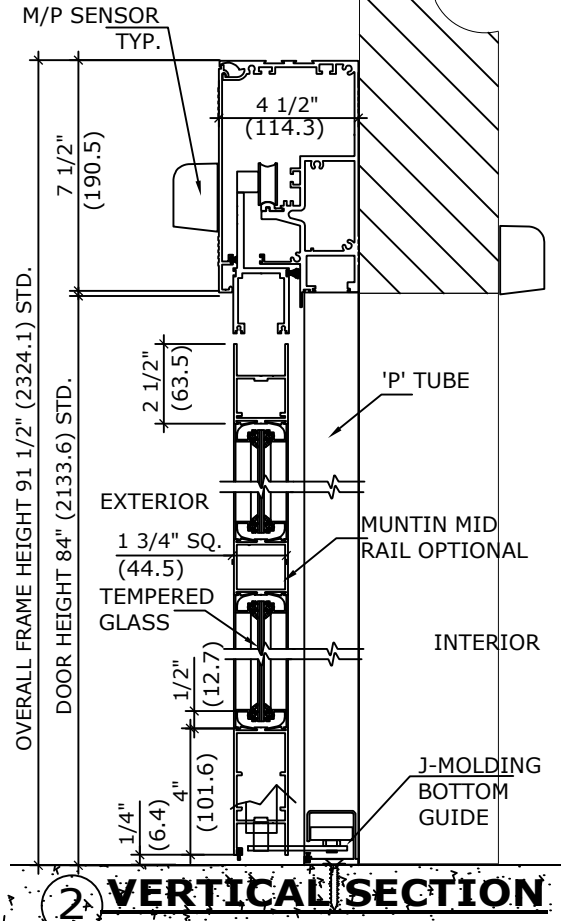
P-SX-SX-P : SURFACE MOUNTED SLIDER WITH 'P' PANEL,  
BI-PART SLIDING DOOR SYSTEM, NARROW STILE DOORS.

STD. PACKAGE SHALL INCLUDE AUTOMATIC OPERATOR, FRAME AND  
DOORS WITH MUNTIN, BOTTOM RAILS WITH CONCEALED  
SWEEP, BRUSH-PILE WEATHER STRIPPING, EMERGENCY BREAKAWAY,  
MS LOCK, GLAZING STOPS FOR TEMPERED GLASS,  
CONCEALED BOTTOM GUIDES IN 'J' MOLDING OF FIXED 'P' PANELS,  
3-POSITION SWITCH AND MOTION/PRESENCE SENSORS.

SIZE	OVERALL FRAME A WIDTH	FINISHED OPENING B WIDTH	ACTIVE PANELS C WIDTH	NET DOOR D OPENING	BREAK OUT DIM'N E
96"	96" (2438.4)	44 1/2" (1130.3)	24" (609.6)	37" (939.8)	44 1/2" (1130.3)
120"	120" (3048)	56 1/2" (1435.1)	30" (762)	49" (1244.6)	56 1/2" (1435.1)
144"	144" (3657.6)	68 1/2" (1739.9)	36" (914.4)	61" (1549.4)	68 1/2" (1739.9)
168"	168" (4267.2)	80 1/2" (2044.7)	42" (1066.8)	73" (1854.2)	80 1/2" (2044.7)
192"	192" (4876.8)	92 1/2" (2339.5)	48" (1219.2)	85" (2159)	92 1/2" (2349.5)
KEY [INCHES] KEY [mm]	2[B+3 1/2] 2(B+88.9)	[A/2-3 1/2] (A/2-88.9)	[B/2+1 3/4] (B/2+44.5)	[B-7 1/2] (B-190.5)	[A/2-3 1/2] (A/2-88.9)

APPLICATION:  
SURFACE MOUNT BI-PART, AUTOMATIC  
SLIDING DOOR SYSTEM.

NOTE: DRAWING IS DIMENSIONED IN BOTH INCHES & METRIC (mm)



OVERALL FRAME HEIGHT 91 1/2" (2324.1) STD.

DOOR HEIGHT 84" (2133.6) STD.

2 VERTICAL SECTION

1 HORIZONTAL SECTION

REFER TO RELEVANT (LOCAL, STATE, NATIONAL OR AHJ) BUILDING CODE FOR  
MIN DOOR HEIGHT & MIN/MAX WIDTH ALLOWABLE FOR EGRESS REQUIREMENT.  
NOTE:  
ENTREMATIC GROUP AB, RESERVES THE RIGHT TO  
CHANGE & IMPROVE IT'S PRODUCTS & SPECIFICATIONS  
WITHOUT NOTICE.

**ENTREMATIC**

TEL. 877-348-6837 (CANADA)  
www.ditecentrematic.ca  
TEL. 866-901-4284 (USA)  
www.ditecentrematic.us

SHEET TITLE:			SHEET NO. <b>12</b>
ARCHITECT:			
CONTRACTOR:			SECTION <b>DS</b>
SCALE:	DRAWN BY:	DATE:	