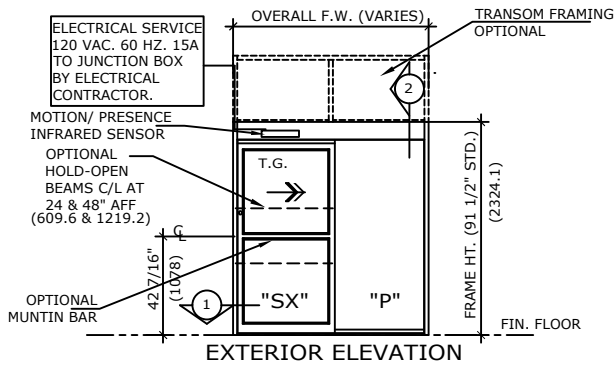


**APPLICATION:**  
**SURFACE MOUNT RIGHT HAND, AUTOMATIC**  
**SLIDING DOOR SYSTEM.**

AUTOMATIC SLIDING DOOR OPERATOR SHALL BE "DS18"  
 CUL USA APPROVED, CONFORMING TO UL STD. 325 &  
 ANSI-BHMA STD. A156.10 CERTIFIED TO CAN. CSA STD.  
 C22.2#24-93 AS MANUFACTURED BY ENTREMATIC GROUP  
 AB.

STANDARD FINISH: ANODIZED, CLEAR; DARK BRONZE;  
 SPECIAL FINISHES ARE AVAILABLE

NOTE: DRAWING IS DIMENSIONED IN BOTH INCHES & METRIC (mm)



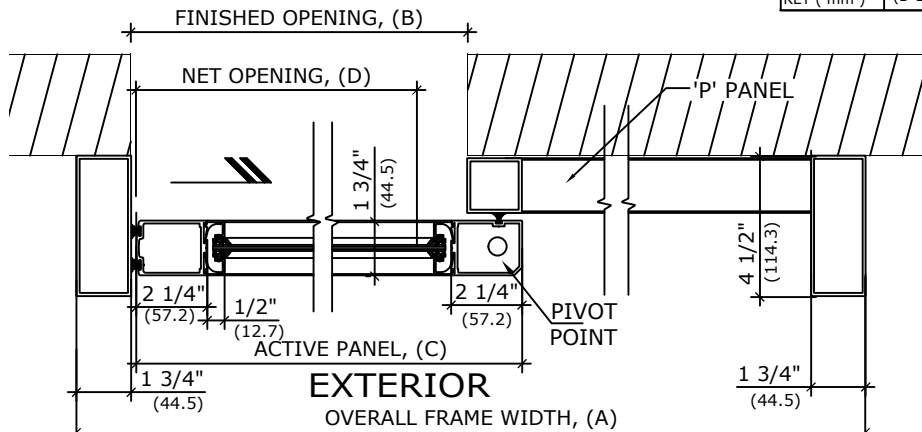
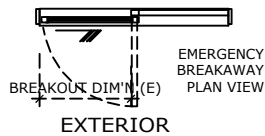
**UNIT DESCRIPTION**

**DITEC**

SX-P : SURFACE MOUNTED SLIDER WITH 'P' PANEL, SINGLE SLIDE DOOR SYSTEM, NARROW STILE DOORS.

STD. PACKAGE SHALL INCLUDE AUTOMATIC OPERATOR, FRAME AND DOORS WITH MUNTINS, BOTTOM RAILS WITH CONCEALED SWEEPS BRUSH-PILE WEATHER STRIPPING, EMERGENCY BREAKAWAY, MS LOCK, GLAZING STOPS FOR TEMPERED GLASS, BOTTOM GUIDE CONCEALED IN 'J' MOLDING OF FIXED 'P' PANEL, 3-POSITION SWITCH & MOTION/PRESENCE SENSORS ON BOTH SIDES OF UNIT.

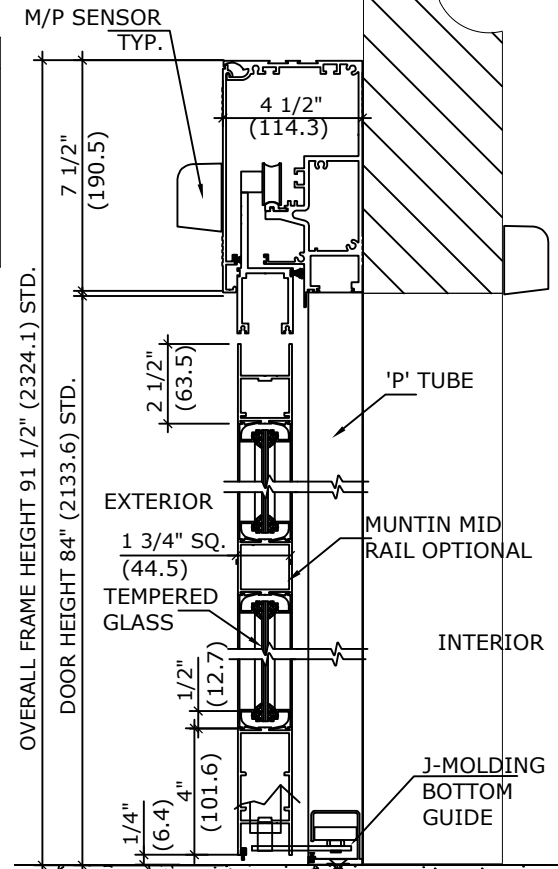
SIZE	OVERALL FRAME WIDTH A	FINISHED OPENING WIDTH B	ACTIVE PANEL WIDTH C	NET DOOR OPENING D	BREAK OUT DIM'N. E
84"	84" (2133.6)	40 1/4" (1022.4)	42" (1066.8)	36 1/2" (927.1)	40 1/4" (1022.4)
96"	96" (2438.4)	46 1/4" (1174.8)	48 (1219.2)	42 1/2" (1079.5)	46 1/4" (1174.8)
108"	108" (2743.2)	52 1/4" (1327.2)	54" (1371.6)	48 1/2" (1231.9)	52 1/4" (1327.2)
KEY INCHES	2[B+1 3/4] (B-12.7)	[A/2-1 3/4] (A/2-44.5)	[B+1 3/4] (B+44.5)	[B-3 3/4] (B-95.3)	[A/2-1 3/4] (A/2-44.5)



**1 HORIZONTAL SECTION**

REFER TO RELEVANT (LOCAL, STATE, NATIONAL OR AHJ) BUILDING CODE FOR MIN DOOR HEIGHT & MIN/MAX WIDTH ALLOWABLE FOR EGRESS REQUIREMENT.

NOTE:  
 ENTREMATIC GROUP AB, RESERVES THE RIGHT TO CHANGE & IMPROVE IT'S PRODUCTS & SPECIFICATIONS WITHOUT NOTICE.



**2 VERTICAL SECTION**

**ENTREMATIC**

TEL. 877-348-6837 (CANADA)  
 www.ditecentrematic.ca  
 TEL. 866-901-4284 (USA)  
 www.ditecentrematic.us

SHEET TITLE:			SHEET NO. <b>11</b>
ARCHITECT:			
CONTRACTOR:			SECTION <b>DS</b>
SCALE:	DRAWN BY:	DATE:	