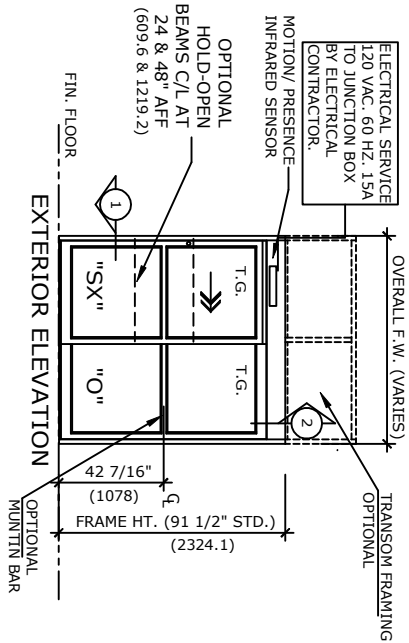


AUTOMATIC SLIDING DOOR OPERATOR SHALL BE "DS18" CUL USA APPROVED, CONFORMING TO UL STD. 325 & ANSI-BHMA STD. A156.10 CERTIFIED TO CAN. CSA STD. C22.2 #24-93 AS MANUFACTURED BY ENTREMATIIC GROUP AB.

STANDARD FINISH: ANODIZED, CLEAR; DARK BRONZE; SPECIAL FINISHES ARE AVAILABLE

NOTE: DRAWING IS DIMENSIONED IN BOTH INCHES & METRIC (mm)

APPLICATION:
FIXED SIDELITE RIGHT HAND, AUTOMATIC SLIDING DOOR SYSTEM.

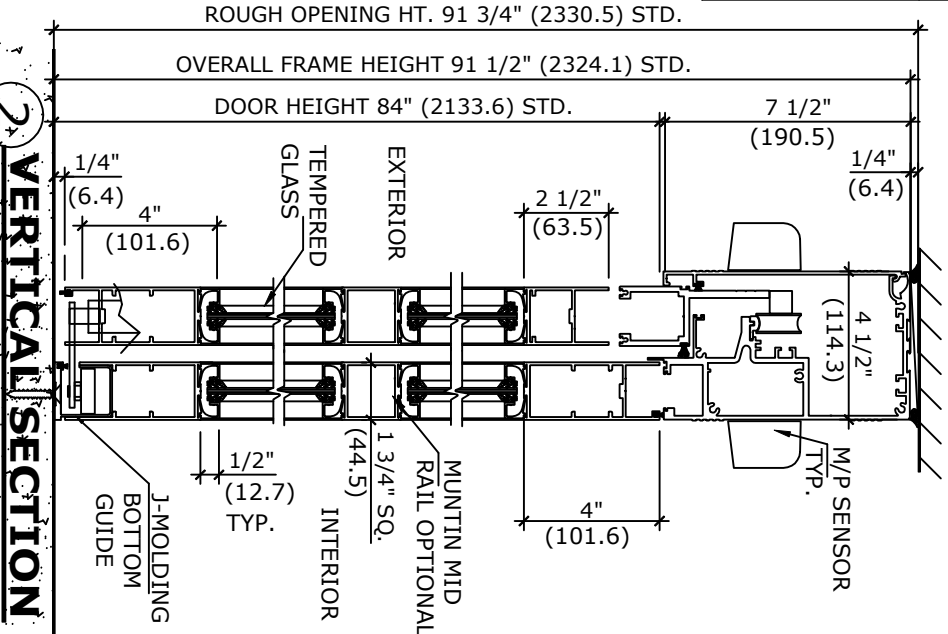
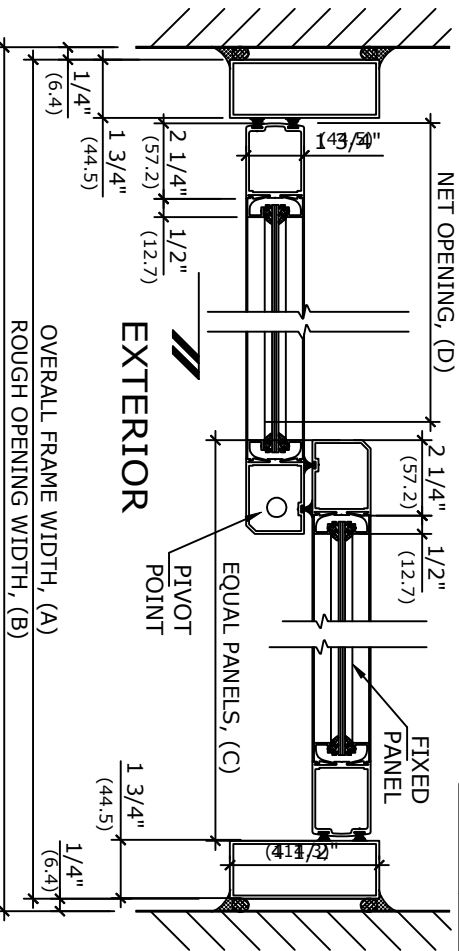


UNIT DESCRIPTION

DITEC

SX-0 : OVERHEAD CONCEALED FIXED SIDELITE SINGLE SLIDE DOOR SYSTEM, NARROW STILE DOORS. STD. PACKAGE SHALL INCLUDE AUTOMATIC OPERATOR, FRAME AND DOORS WITH MUNTINS, BOTTOM RAILS WITH CONCEALED SWEEPS BRUSH-PILE WEATHER STRIPPING, EMERGENCY BREAKAWAY, MS LOCK, GLAZING STOPS FOR TEMPERED GLASS, BOTTOM GUIDE SYSTEM IN 'J' MOLDING OF FIXED LITE, 3-POSITION SWITCH & MOTION/PRESENCE SENSORS ON BOTH SIDES OF UNIT.

SIZE	OVERALL FRAME A WIDTH	ROUGH OPENING B WIDTH	EQUAL PANELS C WIDTH	NET DOOR D OPENING	BREAK OUT E DIM'N.
84"	84"	84 1/2"	41 9/16"	35 1/4"	38 7/8"
96"	96"	96 1/2"	47 9/16"	41 1/4"	44 7/8"
108"	108"	108 1/2"	53 9/16"	47 1/4"	50 7/8"
KEY INCHES (B-12.7)	(A+12.7)	(A+12.7)	(A/2-7/16)	(A/2-6/3/4)	(A/2-3/1/8)
(B-12.7)	(A+12.7)	(A+12.7)	(A/2-7/16)	(A/2-6/3/4)	(A/2-3/1/8)
(B-12.7)	(A+12.7)	(A+12.7)	(A/2-7/16)	(A/2-6/3/4)	(A/2-3/1/8)



1 HORIZONTAL SECTION

2 VERTICAL SECTION

REFER TO RELEVANT (LOCAL, STATE, NATIONAL OR AHJ) BUILDING CODE FOR MIN DOOR HEIGHT & MIN/MAX WIDTH ALLOWABLE FOR EGRESS REQUIREMENT.

NOTE: ENTREMATIIC GROUP AB, RESERVES THE RIGHT TO CHANGE & IMPROVE IT'S PRODUCTS & SPECIFICATIONS WITHOUT NOTICE.

ENTREMATIIC

TEL. 877-348-6837 (CANADA)
www.dtecentrematic.ca
TEL. 866-901-4284 (USA)
www.dtecentrematic.us

SHEET TITLE:	SHEET NO. 5
ARCHITECT:	SECTION DS
CONTRACTOR:	
SCALE:	
DRAWN BY:	
DATE:	