

ELECTRICAL SERVICE
120 VAC. 60 HZ. 15A
TO JUNCTION BOX
BY ELECTRICAL
CONTRACTOR.

AUTOMATIC SLIDING DOOR OPERATOR SHALL BE "DS18" CUL USA APPROVED, CONFORMING TO UL STD. 325 & ANSI-BHMA STD. A156.10 CERTIFIED TO CAN. CSA STD. C22.2#24-93 AS MANUFACTURED BY ENTREMATIC GROUP AB.

APPLICATION:
FULL BREAKOUT BI-PART,
AUTOMATIC SLIDING DOOR SYSTEM.

STANDARD FINISH: ANODIZED, CLEAR; DARK BRONZE; SPECIAL FINISHES ARE AVAILABLE

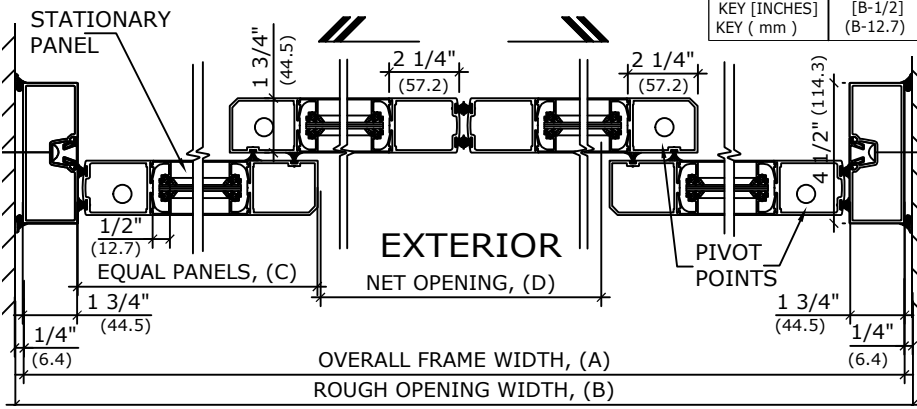
NOTE: DRAWING IS DIMENSIONED IN BOTH INCHES & METRIC (mm)

UNIT DESCRIPTION

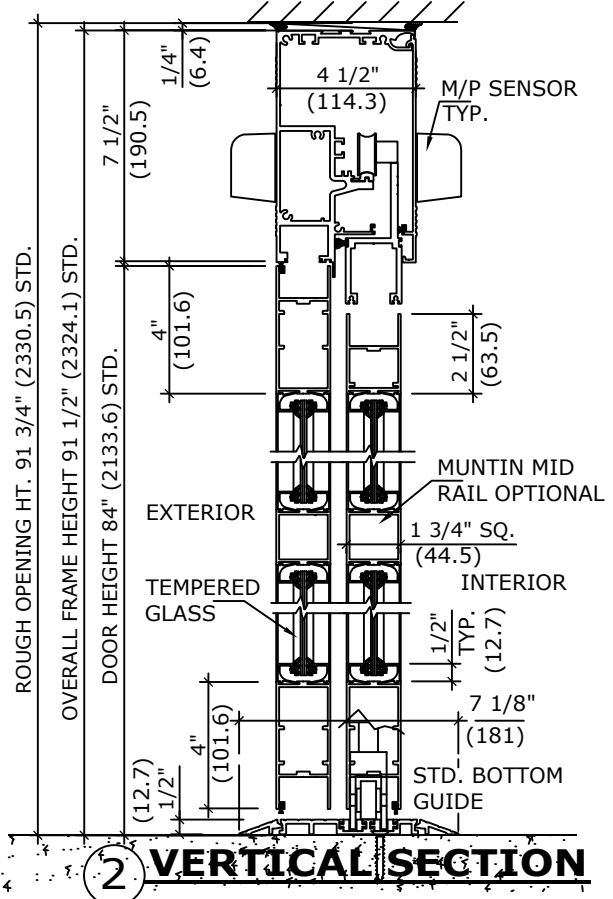
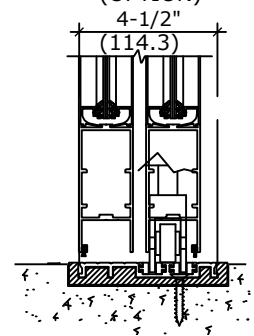
DITEC
SO-SX-SX-SO : OVERHEAD CONCEALED FULL BREAKOUT BI-PART SLIDING DOOR SYSTEM, NARROW STILE DOORS.

STD. PACKAGE SHALL INCLUDE AUTOMATIC OPERATOR, FRAME AND DOORS WITH MUNTINS, BOTTOM RAILS WITH CONCEALED SWEEPS, BRUSH-PILE WEATHER STRIPPING, EMERGENCY BREAKAWAY, GLAZING STOPS FOR TEMPERED GLASS, 2-POINT MS LOCK, BOTTOM GUIDE SYSTEM BENEATH ACTIVE SIDELITES, 3-POSITION SWITCH & MOTION/PRESENCE SENSORS ON BOTH SIDES OF UNIT.

SIZE	OVERALL FRAME WIDTH A	ROUGH OPENING WIDTH B	EQUAL PANELS WIDTH C	NET DOOR OPENING D	BREAK OUT DIM'N E
96"	96" (2438.4)	96 1/2" (2451.1)	24 7/16" (620.7)	36" (914.4)	81" (2057.4)
120"	120" (3048)	120-1/2" (3060.7)	30 7/16" (773.1)	48" (1219.2)	105" (2667)
144"	144" (3657.6)	144-1/2" (3670.3)	36 7/16" (925.5)	60" (1524)	129" (3276.6)
168"	168" (4267.2)	168 1/2" (4279.9)	42 7/16" (1077.9)	72" (1828.8)	153" (3886.2)
192"	192" (4876.8)	192-1/2" (4889.5)	48 7/16" (1230.3)	84" (2133.6)	177" (4495.8)
KEY [INCHES]	[B-1/2] (B-12.7)	[A+1/2] (A+12.7)	[A/4+7/16] (A/4+11.1)	[A/2-12] (A/2-304.8)	[A-15] (A-381)



RECESSED GUIDE (OPTION)



2 VERTICAL SECTION

1 HORIZONTAL SECTION

REFER TO RELEVANT (LOCAL, STATE, NATIONAL OR AHJ) BUILDING CODE FOR MIN DOOR HEIGHT & MIN/MAX WIDTH ALLOWABLE FOR EGRESS REQUIREMENT.
NOTE:
ENTREMATIC GROUP AB, RESERVES THE RIGHT TO CHANGE & IMPROVE IT'S PRODUCTS & SPECIFICATIONS WITHOUT NOTICE.

ENTREMATIC

TEL. 877-348-6837 (CANADA)
www.ditecentrematic.ca
TEL. 866-901-4284 (USA)
www.ditecentrematic.us

SHEET TITLE:			SHEET NO. 3
ARCHITECT:			
CONTRACTOR:			SECTION DS
SCALE:	DRAWN BY:	DATE:	