

AUTOMATIC SLIDING DOOR OPERATOR SHALL BE "DS18" CUL USA APPROVED, CONFORMING TO UL STD. 325 & ANSI-BHMA STD. A156.10 CERTIFIED TO CAN. CSA STD. C22.2#24-93 AS MANUFACTURED BY ENTREMATIc GROUP AB.

STANDARD FINISH: ANODIZED, CLEAR; DARK BRONZE; SPECIAL FINISHES ARE AVAILABLE

NOTE: DRAWING IS DIMENSIONED IN BOTH INCHES & METRIC (mm)

APPLICATION:
FULL BREAKOUT RIGHT HAND, AUTOMATIC SLIDING DOOR SYSTEM.

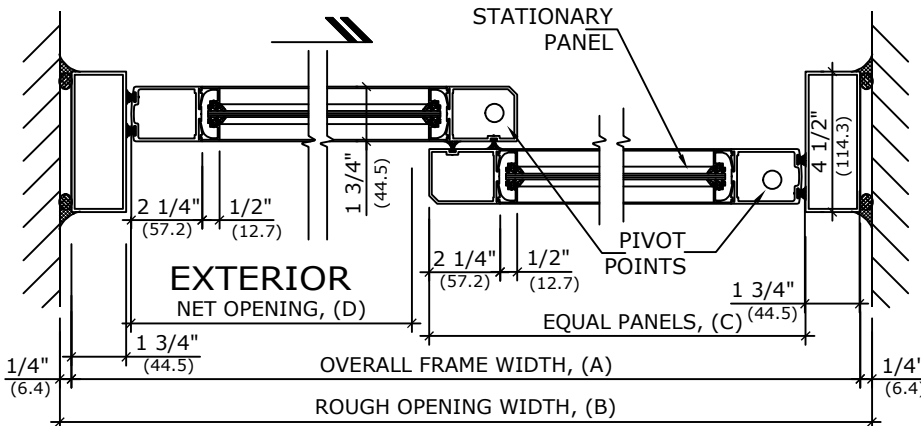
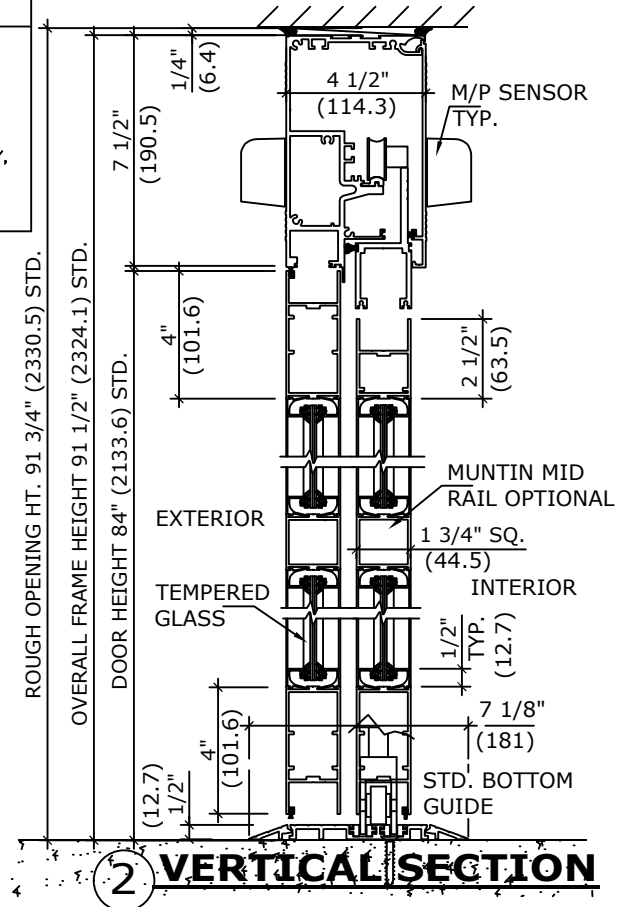
UNIT DESCRIPTION

DITEC

SX-SO : OVERHEAD CONCEALED FULL BREAKOUT SINGLE SLIDE DOOR SYSTEM, NARROW STILE DOORS.

STD. PACKAGE SHALL INCLUDE AUTOMATIC OPERATOR, FRAME AND DOORS WITH MUNTINS, BOTTOM RAILS WITH CONCEALED SWEEPS, BRUSH-PILE WEATHER STRIPPING, EMERGENCY BREAKAWAY, MS LOCK, GLAZING STOPS FOR TEMPERED GLASS, BOTTOM GUIDE SYSTEM BENEATH ACTIVE SIDELITE, 3-POSITION SWITCH & MOTION/PRESENCE SENSORS ON BOTH SIDES OF UNIT.

SIZE	OVERALL FRAME WIDTH A	ROUGH OPENING WIDTH B	EQUAL PANELS C	NET DOOR OPENING D	BREAK OUT DIM'N. E
84"	84" (2133.6)	84 1/2" (2146.3)	41 9/16" (1055.7)	35 1/4" (895.4)	75" (1905)
96"	96" (2438.4)	96 1/2" (2451.1)	47 9/16" (1208.1)	41 1/4" (1047.8)	87" (2210)
108"	108" (2743.2)	108 1/2" (2755.9)	53 9/16" (1360.5)	47 1/4" (1200.2)	99" (2515)
KEY INCHES KEY (mm)	[B-1/2] (B-12.7)	[A+1/2] (A+12.7)	[A/2-7/16] (A/2-11.1)	[A/2-6 3/4] (A/2-171.5)	[A-9] (A-228.6)



1 HORIZONTAL SECTION

REFER TO RELEVANT (LOCAL, STATE, NATIONAL OR AHJ) BUILDING CODE FOR MIN DOOR HEIGHT & MIN/MAX WIDTH ALLOWABLE FOR EGRESS REQUIREMENT.
NOTE:
ENTREMATIc GROUP AB, RESERVES THE RIGHT TO CHANGE & IMPROVE IT'S PRODUCTS & SPECIFICATIONS WITHOUT NOTICE.

ENTREMATIc

TEL. 877-348-6837 (CANADA)
www.ditecentrematic.ca
TEL. 866-901-4284 (USA)
www.ditecentrematic.us

SHEET TITLE:			SHEET NO. 2
ARCHITECT:			
CONTRACTOR:			SECTION DS
SCALE:	DRAWN BY:	DATE:	