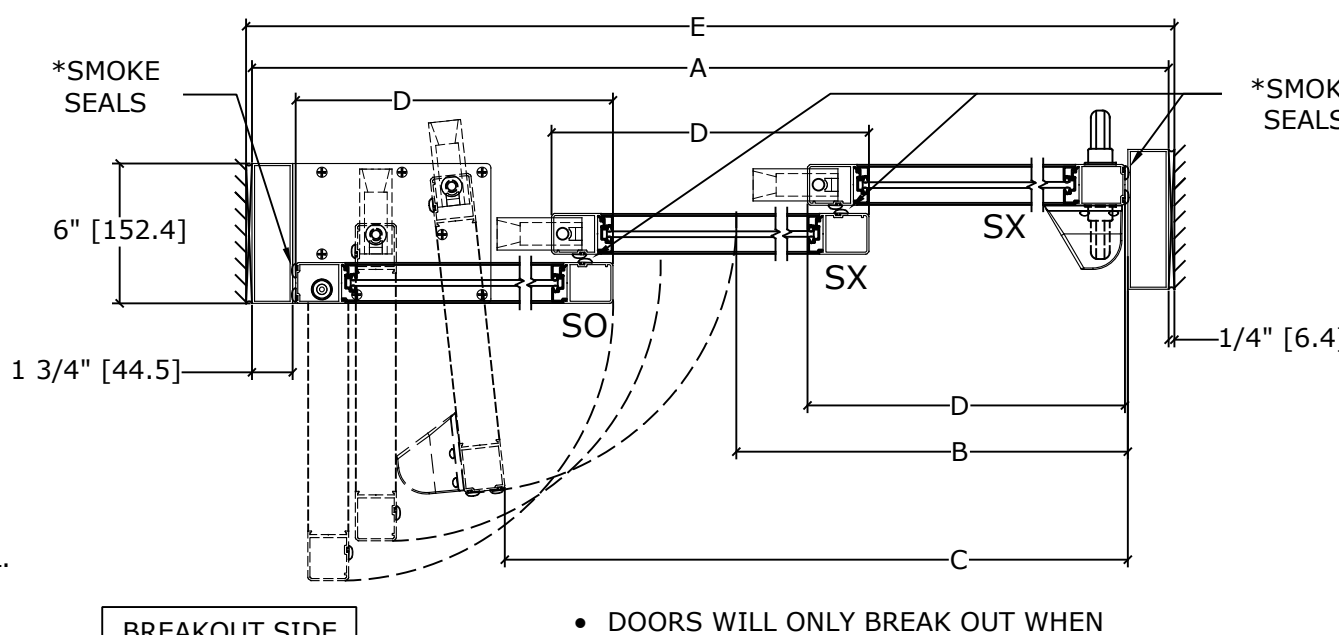
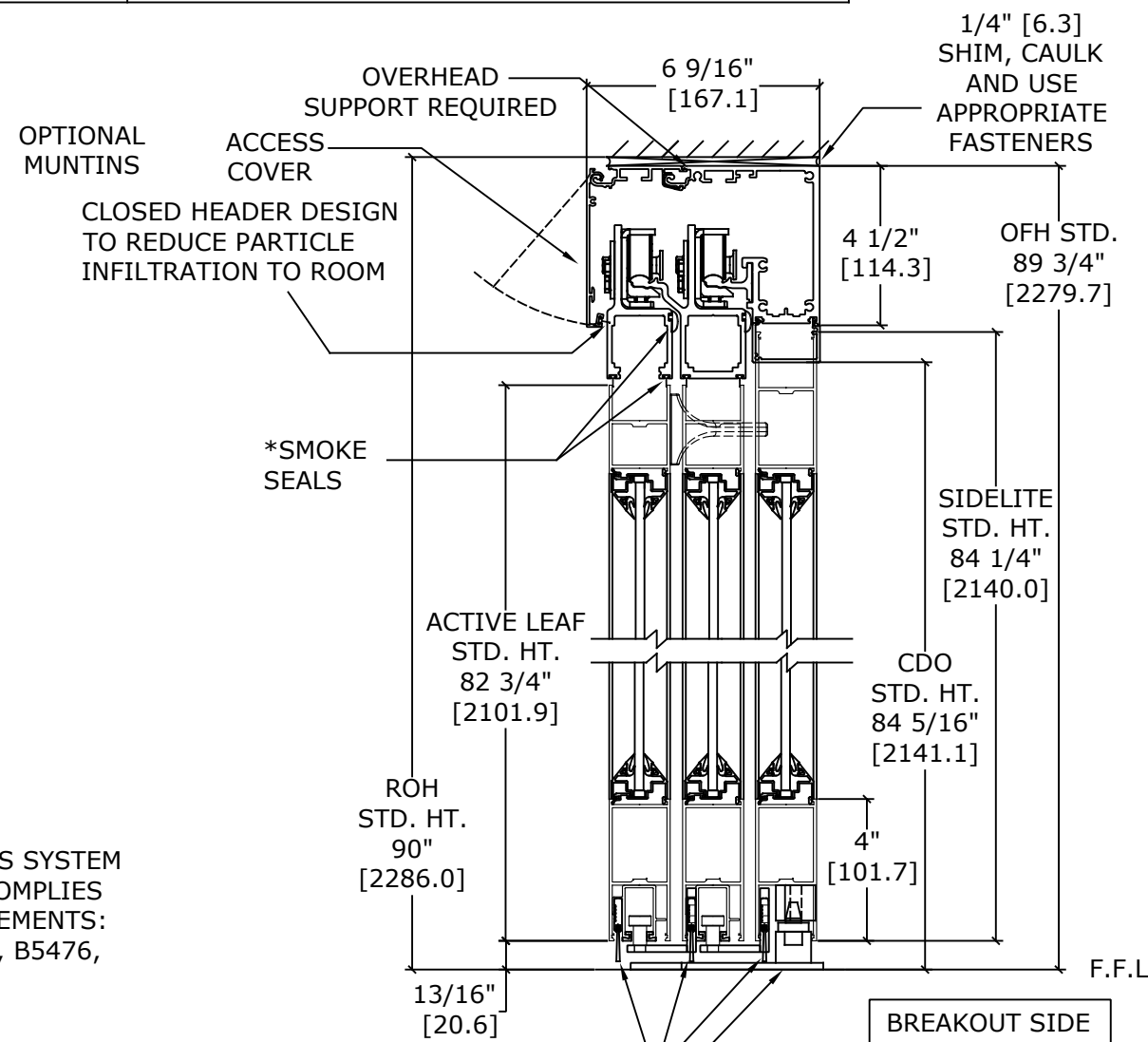
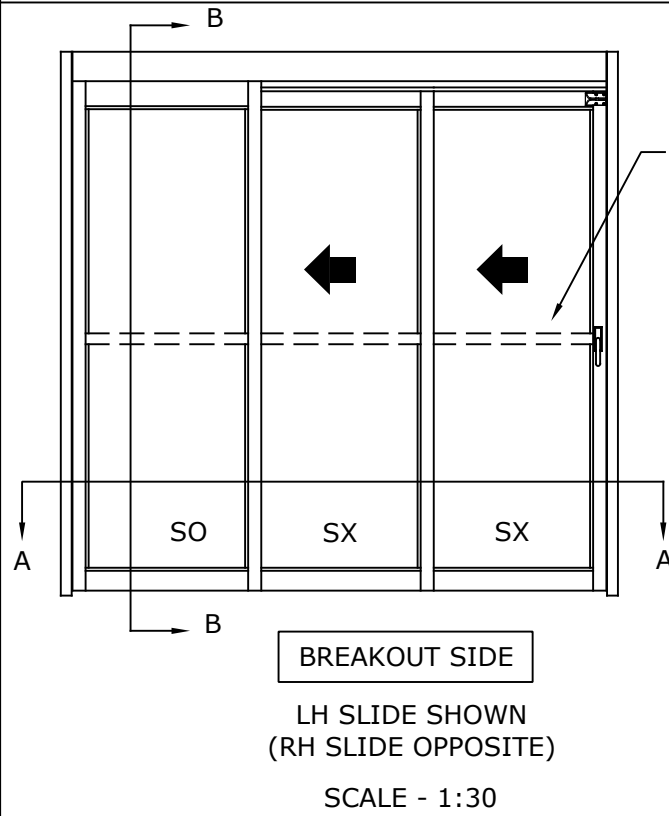


MODEL NO.	OVERALL FRAME WIDTH (A)	CLEAR DOOR OPENING (B)	BREAKOUT OPENING (C)	ACTIVE & SIDELITE LEAF WIDTH (D)	ROUGH OPENING WIDTH (E)
DS10T3FBO-8	96" [2438.4]	53 3/4" [1365.3]	81 1/2" [2070.1]	32 1/2" [825.5]	96 1/2" [2451.1]
DS10T3FBO-10	120" [3048.0]	69 3/4" [1771.7]	105 1/2" [2679.7]	40 1/2" [1028.7]	120 1/2" [3060.7]
DS10T3FBO-12	144" [3657.6]	85 3/4" [2178.1]	129 1/2" [3289.3]	48 1/2" [1231.9]	144 1/2" [3670.3]
KEY:		(2*A/3)-10 1/4" (2*A/3)-[260.4]	A-14 1/2" A-[368.3]	(A/3)+ 1/2" (A/3)+[12.7]	A+1/2" A+[12.7]

CONSULT FACTORY FOR ALL CUSTOM CONFIGURATION SIZES OR SIZES OVER 12'.

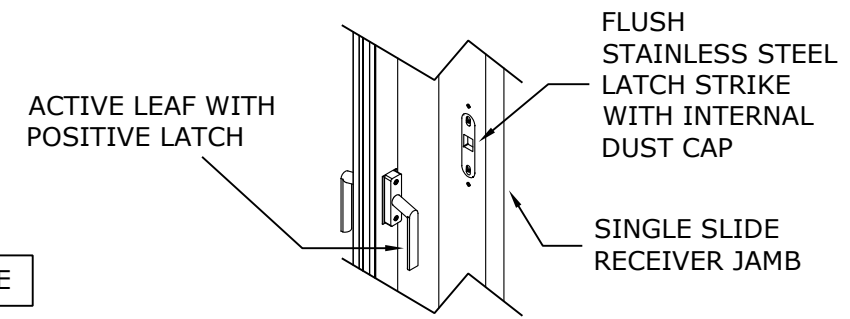
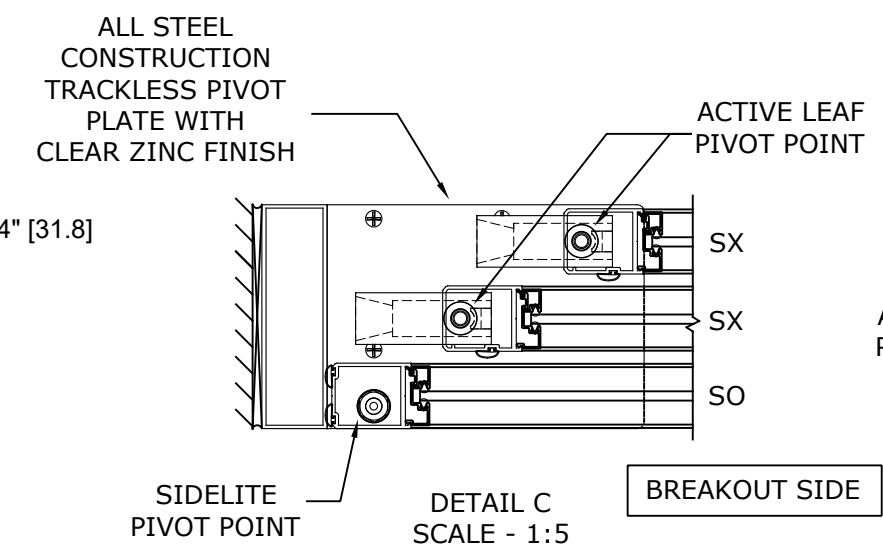


• DOORS WILL ONLY BREAK OUT WHEN IN THE FULLY OPEN POSITION.

\* SEALS: FACTORY APPLIED SEALS USED ON THIS SYSTEM TO SLOW OR RESTRICT PASSAGE OF SMOKE COMPLIES TO ONE OR MORE OF THE FOLLOWING REQUIREMENTS: UL1784, ANSI/NFPA105 2007, UBC7-2, PART11, B5476, UL10B, UL10C, UBC7-2 PART 1 & B5476.

- NOTES:**  
STANDARD PACKAGE CONSISTS OF:
- STANDARD FINISH: CLASS 1, .018MM, CLEAR- AA-M12C22A41
  - NARROW STILE RAILS
  - 1/4" GLASS STOPS AND BLOCKS
  - NURSE ASSIST MAGNETIC CATCHES
  - POSITIVE LATCHING
  - CONCEALED SWEEPS
  - SMOKE RATED SEALS

- OPTIONS AVAILABLE:
- SPECIAL FINISHES
  - PACKAGE WILL ACCEPT , 5/8" [15.9], 1" [25.4] & 1 1/4" [31.8] GLASS
  - 7" & 10" BOTTOM RAILS
  - 1" WIDE JAMBS
  - MUNTINS
  - SELF-CLOSING
  - MAGNETIC HOLD OPEN
  - AL DAMPENER
  - ANTI-STATIC
  - CENTERING WHEEL
  - TRACK PACKAGE
  - FULL CLOSING DAMPENING DEVICE



REFER TO RELEVANT [LOCAL, STATE, NATIONAL, OR AHJ] BUILDING CODE FOR MIN DOOR HEIGHT & MIN/MAX WIDTH ALLOWABLE FOR EGRESS REQUIREMENT IN CONJUNCTION WITH TABLE.

DWG NO.					
DRN BY	SS	DATE	8/27/20	CHK BY	DATE
				REV. 0.1	DATE 8/30/20
SECTION NO.			SHEET NO.		
<b>ENTREMATI</b>			<b>DS10 9</b>		