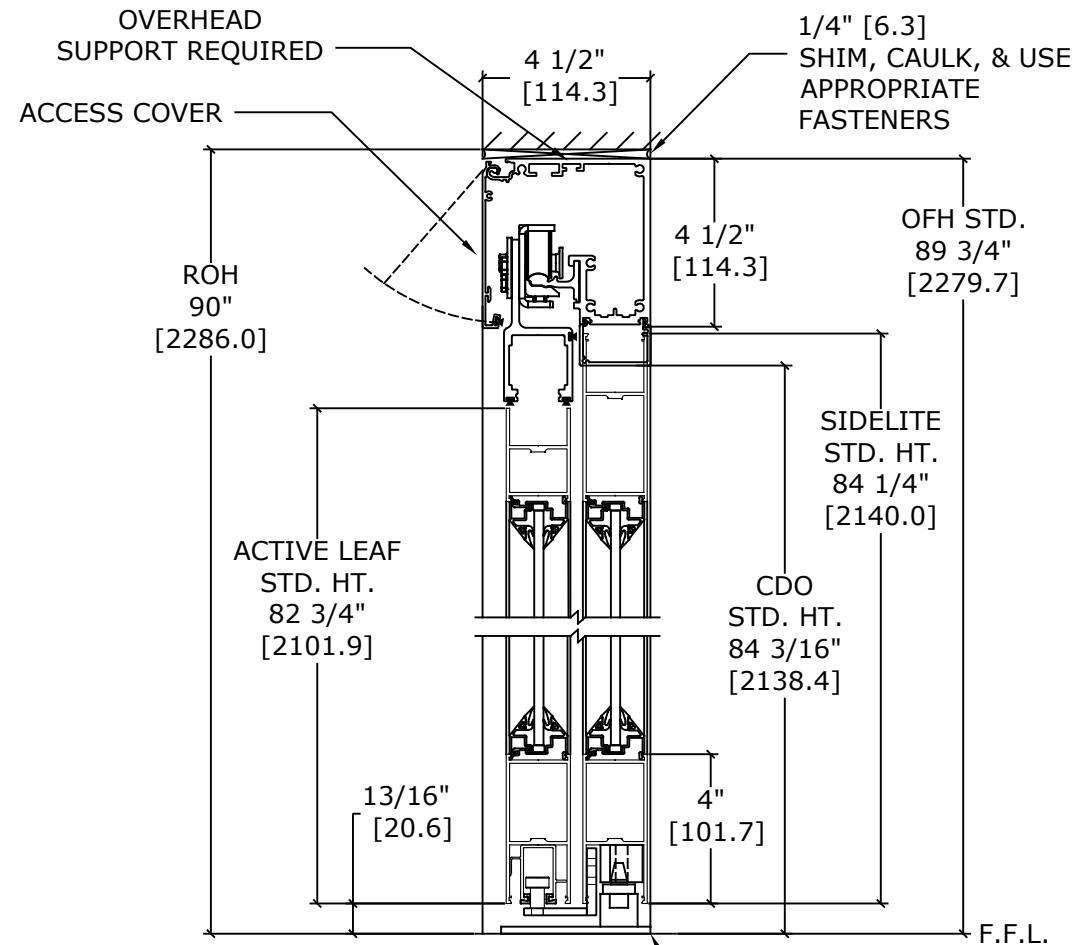
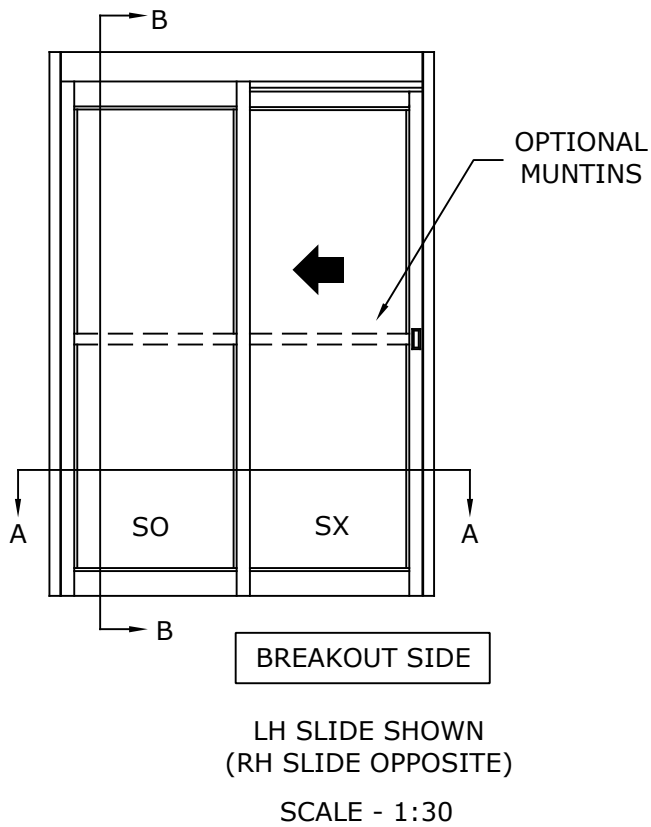


**DS-10-1-FB**  
OVERHEAD CONCEALED FULL BREAKOUT TRACKLESS  
NARROW STILE SINGLE SLIDE MANUAL DOOR SYSTEM

**U.S. PATENT  
8,096,342 B2**

DIMENSIONS FOR 1/4" [6.4] GLASS

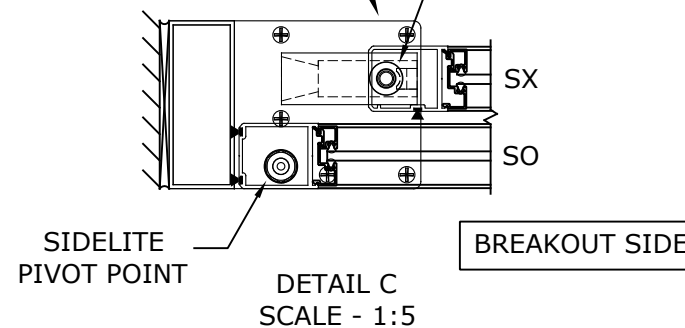


SECTION B-B  
SCALE - 1:5

PIVOT PLATE  
SEE DETAIL C

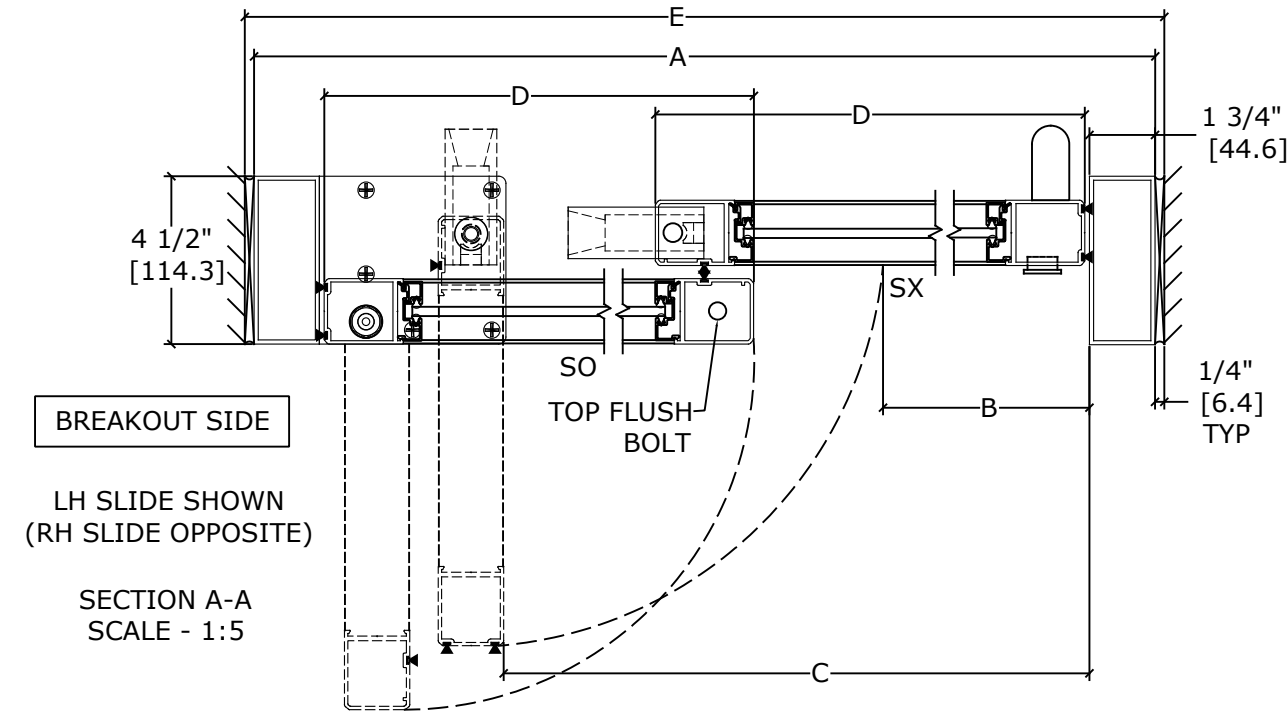
ALL STEEL  
CONSTRUCTION  
TRACKLESS PIVOT  
PLATE WITH CLEAR  
ZINC FINISH

ACTIVE LEAF  
PIVOT POINT



MODEL NO.	OVERALL FRAME WIDTH (A)	CLEAR DOOR OPENING WIDTH (B)	BREAKOUT OPENING (C)	ACTIVE & SIDELITE LEAF WIDTH (D)	ROUGH OPENING WIDTH (E)
DS10S2FBO-7	84" [2133.6]	35 9/16" [903.3]	73 1/4" [1860.5]	41 7/16" [1052.1]	84 1/2" [2146.3]
DS10S2FBO-8	96" [2438.4]	① 41 9/16" [1055.7]	85 1/4" [2165.3]	47 7/16" [1204.5]	96 1/2" [2451.1]
DS10S2FBO-8-6	102" [2590.8]	② 44 9/16" [1131.9]	91 1/4" [2317.7]	50 7/16" [1280.7]	102 1/2" [2603.5]
DS10S2FBO-9	108" [2743.2]	47 9/16" [1208.1]	97 1/4" [2470.1]	53 7/16" [1356.9]	108 1/2" [2755.9]
KEY:		(A/2)-6 7/16" (A/2)-[163.5]	A-10 3/4" A-[273.1]	(A/2)-9/16" (A/2)-[14.7]	A+1/2" A+[12.7]

① - MEETS OR EXCEEDS DIMENSIONAL REQUIREMENTS OF NFPA SECTION 18.2.3.6(1) CODE  
② - MEETS OR EXCEEDS DIMENSIONAL REQUIREMENTS OF CBC 2007 1008.1.1 CODE



• DOORS WILL ONLY BREAK OUT WHEN IN THE FULLY OPEN POSITION.

REFER TO RELEVANT [LOCAL, STATE, NATIONAL, OR AHJ] BUILDING CODE FOR MIN DOOR HEIGHT & MIN/MAX WIDTH ALLOWABLE FOR EGRESS REQUIREMENT IN CONJUNCTION WITH TABLE.

**NOTES:**

STANDARD PACKAGE CONSISTS OF:

- STANDARD FINISH:  
CLASS 1, .018MM, CLEAR-AA-M12C22A41
- NARROW STILE RAILS
- 1/4" GLASS STOPS AND BLOCKS
- PULL HANDLE(S) AND RECESSED FINGER PULL(S)
- NURSE ASSIST MAGNETIC CATCHES
- FULL OPENING DAMPENING DEVICE
- CONCEALED SWEEPS

OPTIONS AVAILABLE:

- SPECIAL FINISHES
- PACKAGE WILL ACCEPT , 5/8" [15.9], 1" [25.4] & 1 1/4" [31.8] GLASS
- 7" & 10" BOTTOM RAILS
- 1" WIDE JAMBS
- MUNTINS
- SELF CLOSING
- MAGNETIC HOLD OPEN
- AL DAMPENER
- ANTI-STATIC
- CENTERING WHEEL
- TRACK PACKAGE
- FULL CLOSING DAMPENING DEVICE

DWG NO.					
DRN BY	SS	DATE	8/27/20	CHK BY	DATE
				REV. 0.1	DATE 8/30/20