

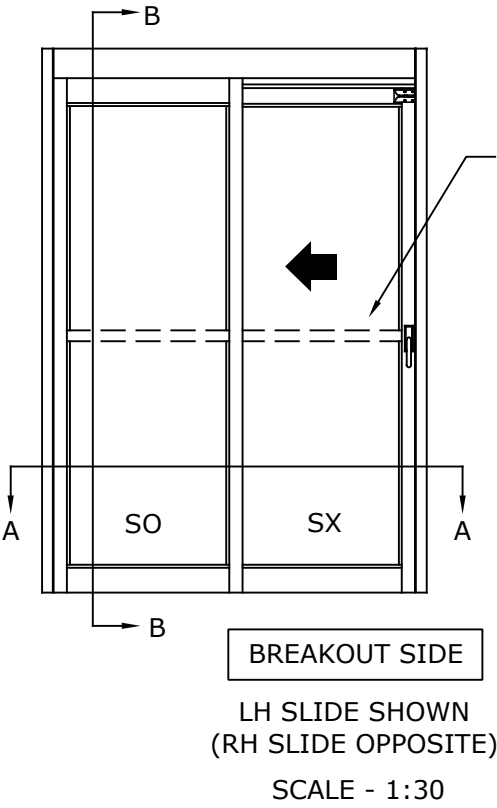
DS-10-1-FB-SR

OVERHEAD CONCEALED FULL BREAKOUT TRACKLESS
UL 1784 SMOKE CERTIFIED NARROW STILE SINGLE SLIDE
MANUAL DOOR SYSTEM

DIMENSIONS FOR 1/4" [6.4] GLASS

MODEL NO.	OVERALL FRAME WIDTH (A)	CLEAR DOOR OPENING WIDTH (B)	BREAKOUT OPENING (C)	ACTIVE & SIDELITE LEAF WIDTH (D)	ROUGH OPENING WIDTH (E)
DS10S2FBO-7	84" [2133.6]	35 9/16" [903.3]	71 5/16" [1811.3]	41 7/16" [1052.1]	84 1/2" [2146.3]
DS10S2FBO-8	96" [2438.4]	① 41 9/16" [1055.7]	83 5/16" [2116.1]	47 7/16" [1204.5]	96 1/2" [2451.1]
DS10S2FBO-8-6	102" [2590.8]	② 44 9/16" [1131.9]	89 5/16" [2268.5]	50 7/16" [1280.7]	102 1/2" [2603.5]
DS10S2FBO-9	108" [2743.2]	47 9/16" [1208.1]	95 5/16" [2420.9]	53 7/16" [1356.9]	108 1/2" [2755.9]
KEY:		(A/2)-6 7/16" (A/2)-[163.5]	A-12 11/16" A-[322.3]	(A/2)-9/16" (A/2)-[14.7]	A+1/2" A+[12.7]

① - MEETS OR EXCEEDS DIMENSIONAL REQUIREMENTS OF NFPA SECTION 18.2.3.6(1) CODE
② - MEETS OR EXCEEDS DIMENSIONAL REQUIREMENTS OF CBC 2007 1008.1.1 CODE



* SEALS: FACTORY APPLIED SEALS USED ON THIS SYSTEM TO SLOW OR RESTRICT PASSAGE OF SMOKE COMPLIES TO ONE OR MORE OF THE FOLLOWING REQUIREMENTS: UL1784, ANSI/NFPA105 2007, UBC7-2, PART11, B5476, UL10B, UL10C, UBC7-2 PART 1 & B5476.

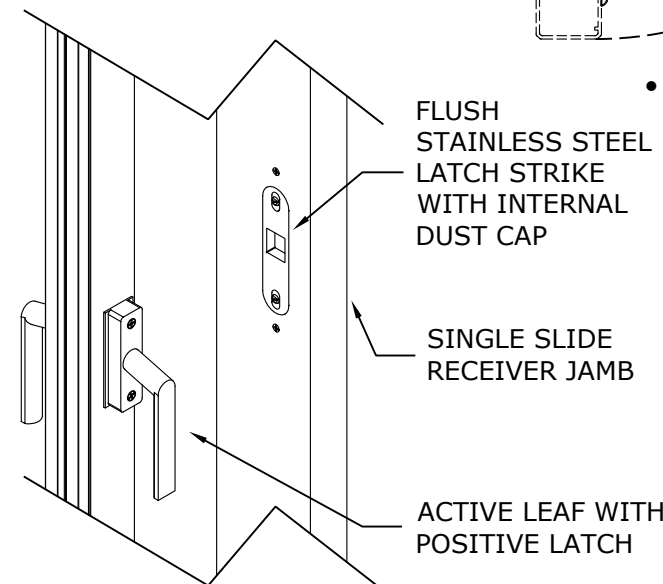
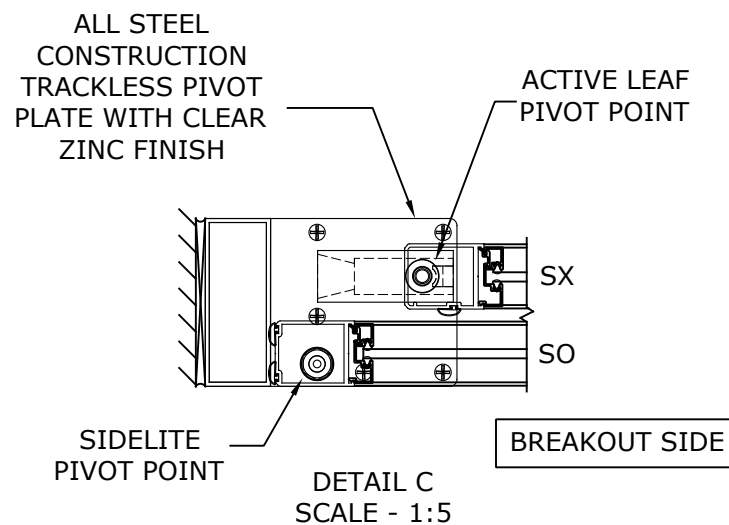
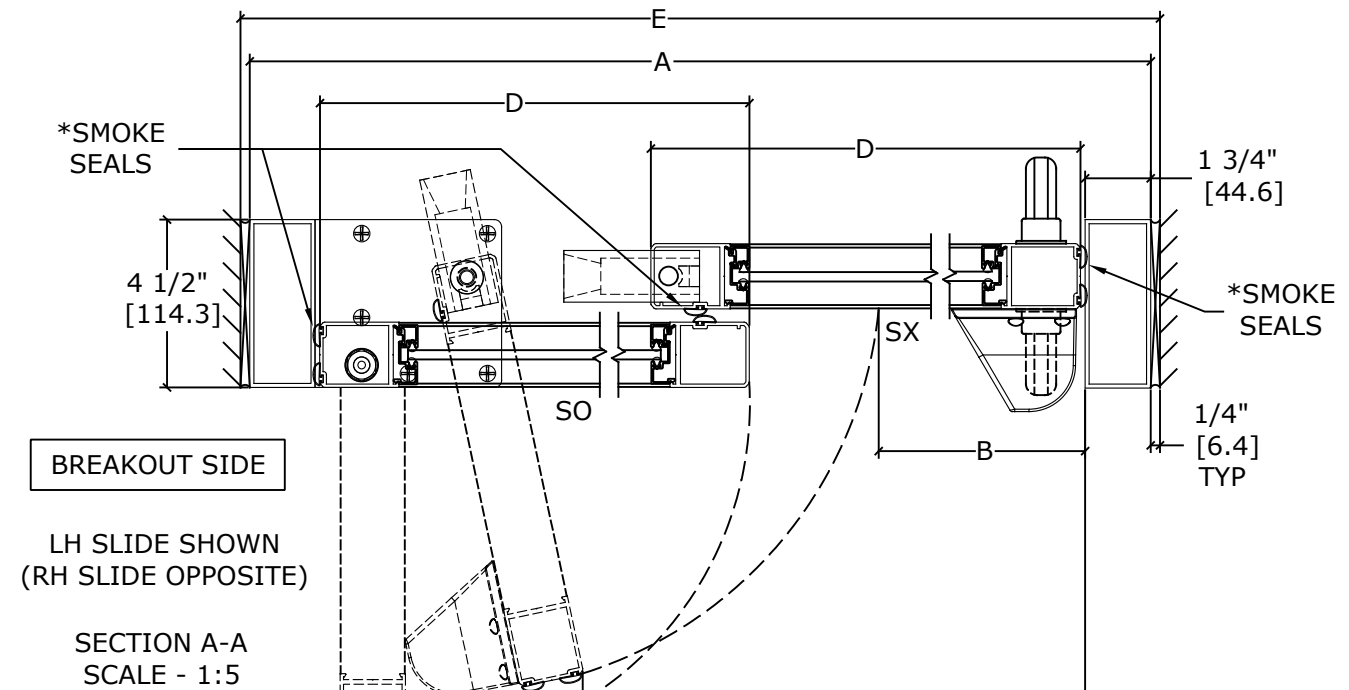
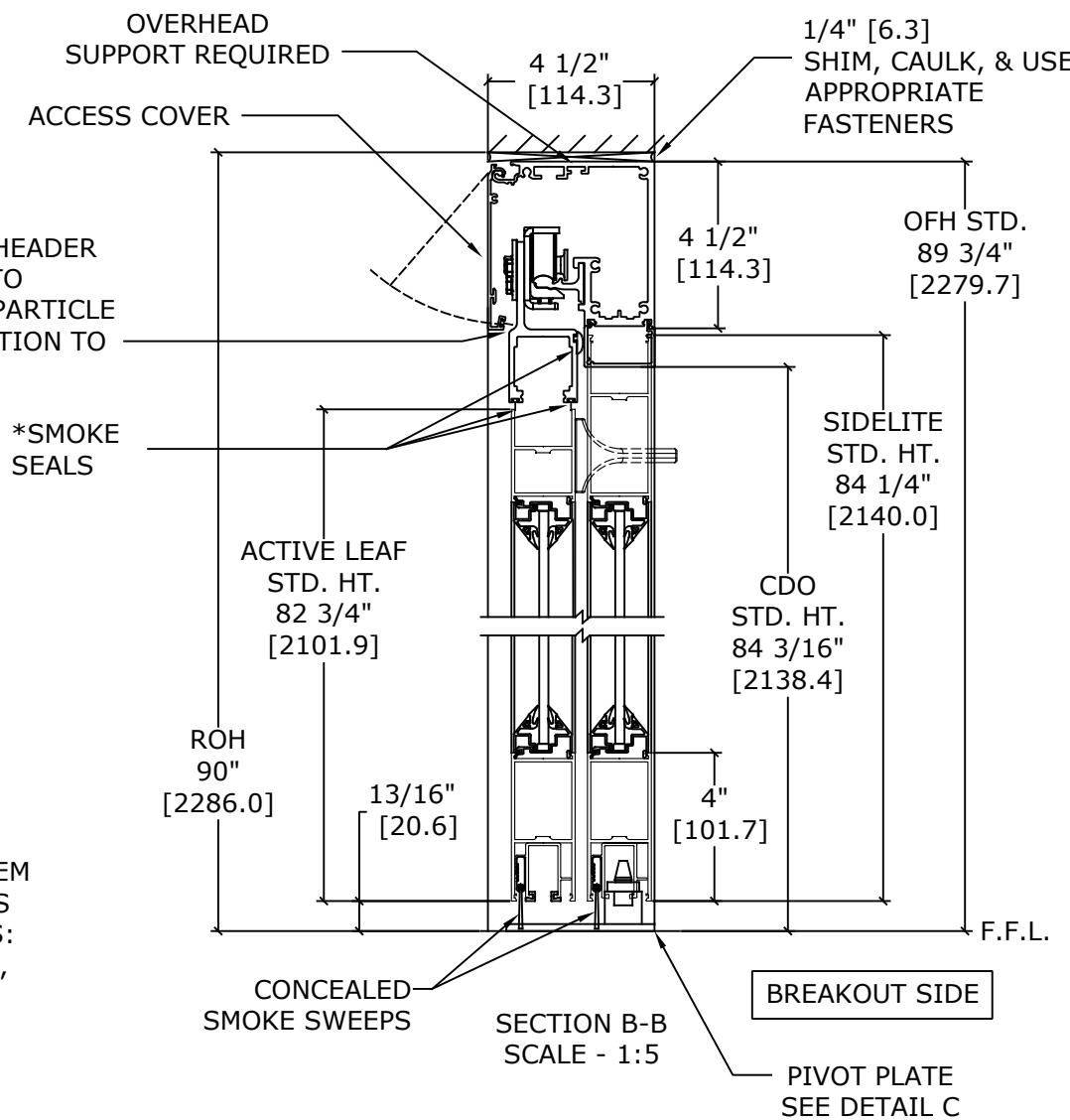
NOTES:

STANDARD PACKAGE CONSISTS OF:

- STANDARD FINISH:
CLASS 1, .018MM, CLEAR- AA-M12C22A41
- NARROW STILE RAILS
- 1/4" GLASS STOPS AND BLOCKS
- NURSE ASSIST MAGNETIC CATCHES
- POSITIVE LATCHING
- CONCEALED SWEEPS
- SMOKE RATED SEALS

OPTIONS AVAILABLE:

- SPECIAL FINISHES
- PACKAGE WILL ACCEPT , 5/8" [15.9], 1" [25.4] & 1 1/4" [31.8] GLASS
- 7" & 10" BOTTOM RAILS
- 1 WIDE JAMBS
- MUNTINS
- SELF-CLOSING
- MAGNETIC HOLD OPEN
- AL DAMPENER
- ANTI-STATIC
- CENTERING WHEEL
- TRACK PACKAGE
- FULL CLOSING DAMPENING DEVICE



- DOORS WILL ONLY BREAK OUT WHEN IN THE FULLY OPEN POSITION.

REFER TO RELEVANT [LOCAL, STATE, NATIONAL, OR AHJ] BUILDING CODE FOR MIN DOOR HEIGHT & MIN/MAX WIDTH ALLOWABLE FOR EGRESS REQUIREMENT IN CONJUNCTION WITH TABLE.

DWG NO.					
DRN BY	SS	DATE	9/3/20	CHK BY	DATE
				REV. 0.2	DATE 4/22/21
				SECTION NO.	SHEET NO.
ENTREMATI				DS10	6